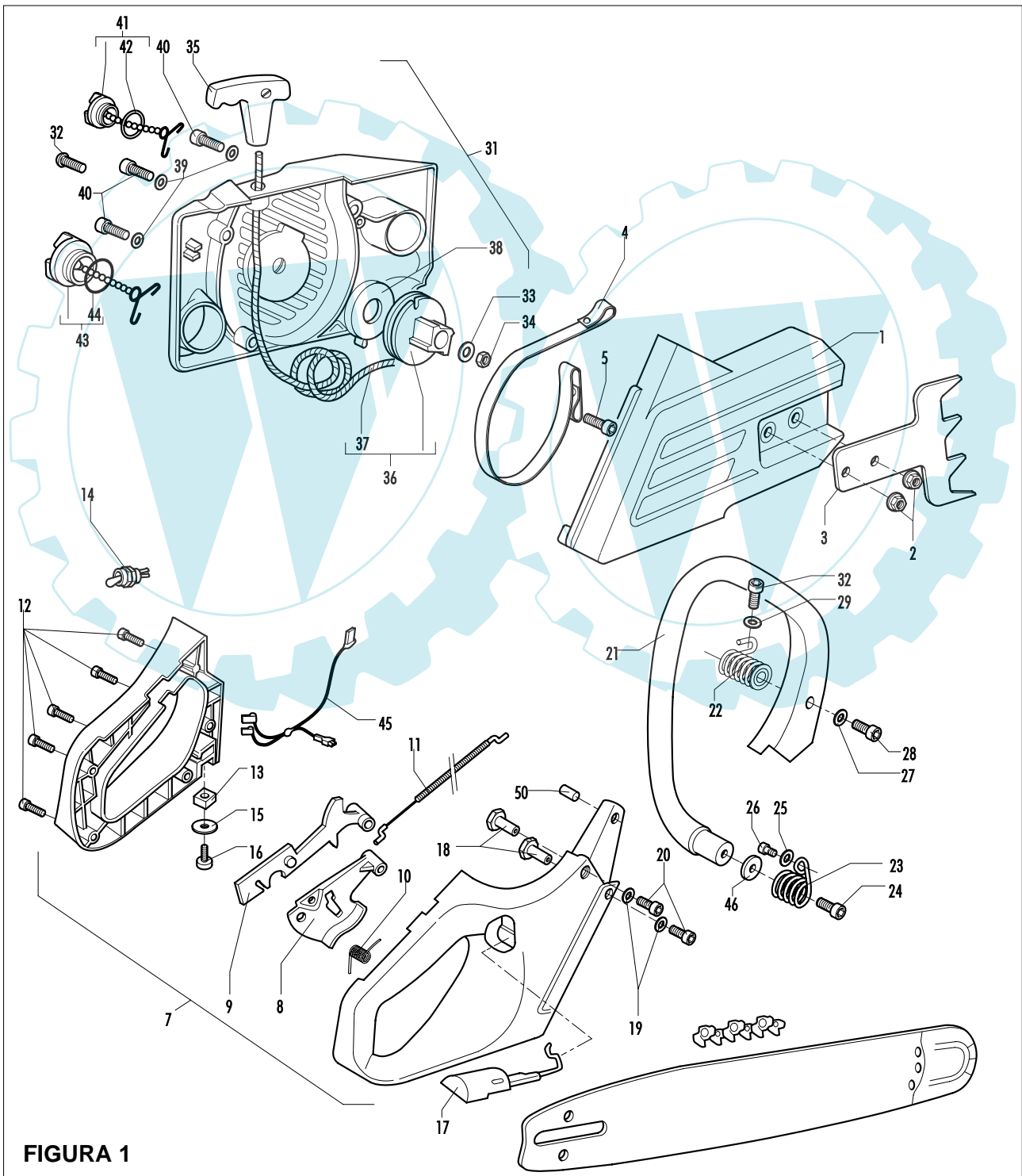


brand	<b>MC CULLOCH-PARTNER -RANCHERO</b>
-------	-------------------------------------

date	NOV/02	SHEET 1/6
------	--------	-----------

Model	Prefix
<b>MAC 539E 14" - 16" - 18"</b>	01
<b>MAC 539E 14"+BAG - 542E 16"+BAG</b>	01
<b>MAC 542E 16" INTZ - 542E 18" INTZ</b>	02
<b>MAC 545E 18" INTZ</b>	01
<b>CALIFORNIA 42CC ASSY - 42CC+BAG</b>	02
<b>P542E 16" - P542E 16" + BAG</b>	02
<b>PL 546 18" 6307.290</b>	01

Product number
<b>953900361 - 953900362 - 953900406</b>
<b>953900401 - 953900402</b>
<b>953900363 - 953900364</b>
<b>953900225</b>
<b>953900367 - 953900403</b>
<b>953900376 - 953900377</b>
<b>953900273</b>



**FIGURA 1**

brand	MC CULLOCH-PARTNER -RANCHERO
-------	------------------------------

date	NOV/02	SHEET 2/6
------	--------	-----------

Model	Prefix
MAC 539E 14" - 16" - 18"	01
MAC 539E 14"+BAG - 542E 16"+BAG	01
MAC 542E 16" INTZ - 542E 18" INTZ	02
MAC 545E 18" INTZ	01
CALIFORNIA 42CC ASSY - 42CC+BAG	02
P542E 16" - P542E 16" + BAG	02
PL 546 18" 6307.290	01

Product number
953900361 - 953900362 - 953900406
953900401 - 953900402
953900363 - 953900364
953900225
953900367 - 953900403
953900376 - 953900377
953900273

**FIGURA 1**

pos	P/N McC	P/N ELX	Qty	DESCRIPTION	pos	P/N McC	P/N ELX	Qty	DESCRIPTION
C 1	248438	538248438	1	KIT CLUTCH COVER 538E	A 37	235042	538235042	1	ROPE
A 2	242501	538242501	2	M6 / cm13	B 38	235040	538235040	1	SPRING
C 3	241993	538241993	1	SPIKE	39	235248	538235248	3	WASHER M5
B 4	235073	538235073	1	BAND BRAKE	40	236997	538236997	3	M5X30 SCREW
5	235812	538235812	1	SPECIAL BRAKE SCREW	B 41	240866	538240866	1	OIL CAP ASSY
C 7	240339	538240339	1	REAR HANDLE ASSY	C 42	235511	538235511	1	O-RING OIL CAP
C 8	240301	538240301	1	GAS LEVER	B 43	240865	538240865	1	FUEL CAP ASSY
C 9	240302	538240302	1	SAFETY TRIGGER	C 44	235510	538235510	1	O-RING MIX CAP
10	240303	538240303	1	MOLLA LEVA GAS	C 45	240370	538240370	1	CABLE ASSY
C 11	240367	538240367	1	WIRE ASSY	46	236934	538236934	1	WASHER
12	240862	538240862	5	SCREW 4X18	50	240323	538240323	1	SPACER
13	229524	538229524	1	NUT M5					
C 14	240859	538240859	1	SWITCH ON_OFF					
15	227259	538227259	1	WASHER					
16	240845	538240845	1	SCREW					
C 17	247259	538247259	1	ROD CHOK ASSY					
18	240315	538240315	2	NUT					
19	235248	538235248	2	WASHER M5					
20	235802	538235802	2	SCREW M5 X 14 TCE					
21	240281	538240281	1	FRONT HANDLE					
B 22	241231	538241231	1	UPPER AV SPRING ASSY					
B 22	240289	538240289	1	SPRING					
B 23	240285	538240285	1	SPRING					
24	240354	538240354	1	SCREW 6X30					
25	235248	538235248	1	WASHER M5					
26	235802	538235802	1	SCREW M5 X 14 TCE					
27	235248	538235248	1	WASHER M5					
28	235803	538235803	1	SCREW M5 X 25 TCE					
29	227259	538227259	1	WASHER					
30	235802	538235802	1	SCREW M5 X 14 TCE					
C 31	241854	538241854	1	STARTER ASSY					
32	240316	538240316	1	SCREW M5X35					
33	240921	538240921	1	WASHER					
34	229208	538229208	1	NUT M5					
35	240884	538240884	1	STARTER-HANDLE					
B 36	235372	538235372	1	DRUM AND ROPE					

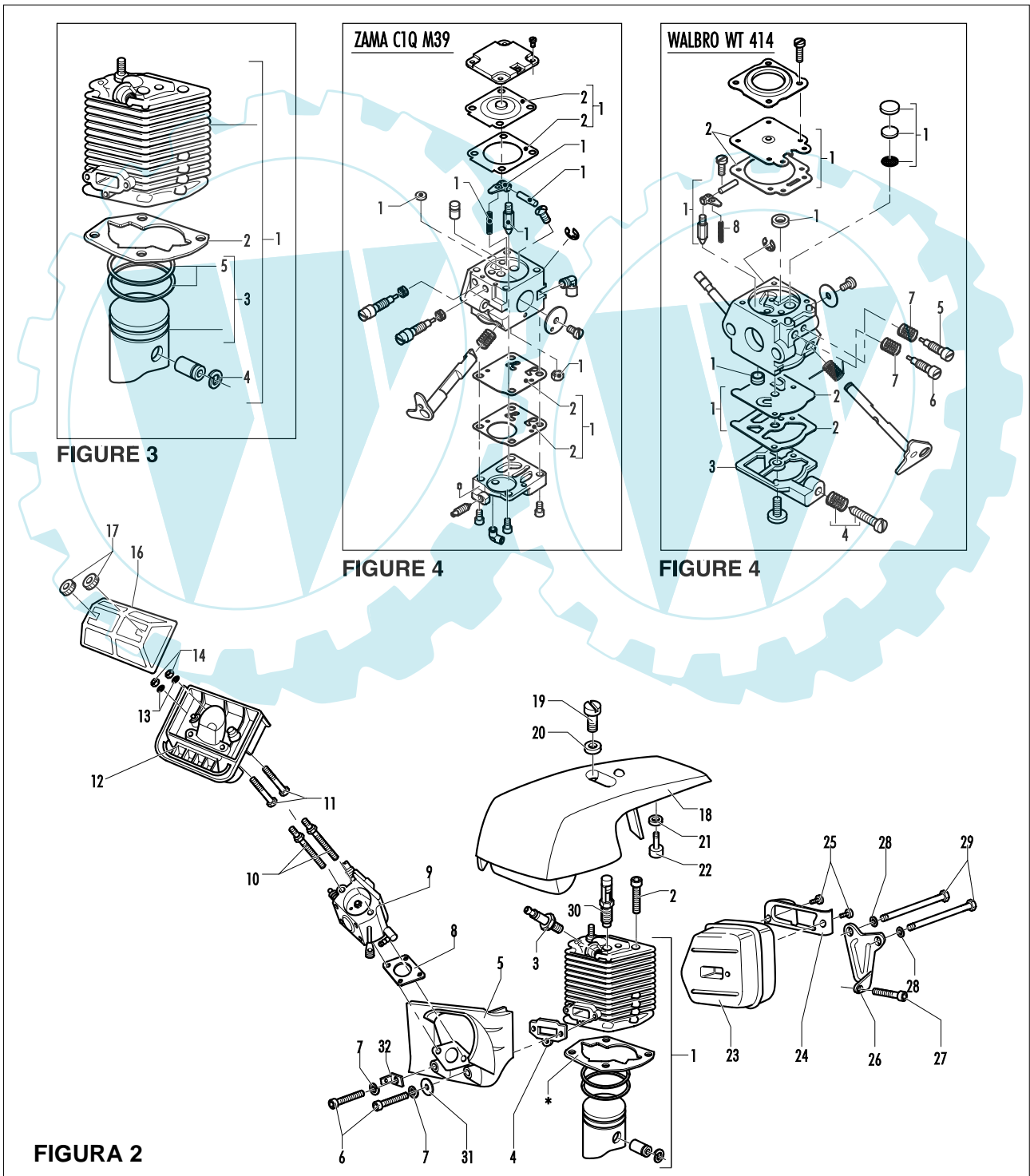
A= ALTA ROTAZIONE	A=HIGH MOVING	A=HAUTE DEMANDE	A=GROßE NACHFRAGE
B=MEDIA ROTAZIONE	B=MEDIUM MOVING	B=MOYENNE DEMANDE	B=MITTELMAßIGE
C=BASSA ROTAZIONE	C=SLOW MOVING	C=BASSE DEMANDE	C=WENIGE NACHFRAGE

brand	MC CULLOCH-PARTNER -RANCHERO
-------	------------------------------

date	NOV/02	SHEET 3/6
------	--------	-----------

Model	Prefix
MAC 539E 14" - 16" - 18"	01
MAC 539E 14"+BAG - 542E 16"+BAG	01
MAC 542E 16" INTZ - 542E 18" INTZ	02
MAC 545E 18" INTZ	01
CALIFORNIA 42CC ASSY - 42CC+BAG	02
P542E 16" - P542E 16" + BAG	02
PL 546 18" 6307.290	01

Product number
953900361 - 953900362 - 953900406
953900401 - 953900402
953900363 - 953900364
953900225
953900367 - 953900403
953900376 - 953900377
953900273



brand	<b>MC CULLOCH-PARTNER -RANCHERO</b>
-------	-------------------------------------

date	NOV/02	SHEET 4/6
------	--------	-----------

Model	Prefix
<b>MAC 539E 14" - 16"- 18"</b>	01
<b>MAC 539E 14"+BAG - 542E 16"+BAG</b>	01
<b>MAC 542E 16" INTZ - 542E 18" INTZ</b>	02
<b>MAC 545E 18" INTZ</b>	01
<b>CALIFORNIA 42CC ASSY - 42CC+BAG</b>	02
<b>P542E 16" - P542E 16" + BAG</b>	02
<b>PL 546 18" 6307.290</b>	01

Product number
<b>953900361 - 953900362 - 953900406</b>
<b>953900401 - 953900402</b>
<b>953900363 - 953900364</b>
<b>953900225</b>
<b>953900367 - 953900403</b>
<b>953900376 - 953900377</b>
<b>953900273</b>

**FIGURA 2**

pos	P/N McC	P/N ELX	Qty	DESCRIPTION
<b>C</b>	<b>FIGURA 3</b>			
1	227565	538227565	4	SCREW M5X25
<b>A</b>	92879	538092879	1	SPARK PLUG RDJ8J
<b>B</b>	240345	538240345	1	GASKET
5	240271	538240271	1	CARB.SPACER (538E)
5	240261	538240261	1	CARB.SPACER
6	236997	538236997	2	M5X30 SCREW
7	236529	538236529	2	SPLIT WASHER
<b>A</b>	227692	538227692	1	GASKET
<b>C</b>	<b>FIGURA 4</b>			
10	240328	538240328	2	BAR BOLT
11	240334	538240334	2	M4X40 SCREW
12	240262	538240262	1	AIR FILTER BOX
13	235248	538235248	2	WASHER M5
14	235216	538235216	2	NUT M5
15	241239	538241239	2	RUBBER CAP
<b>B</b>	240263	538240263	1	AIR FILTER
17	240322	538240322	2	NUT
18	242670	538242670	1	GOLD ENGINE COVER DM 40
18	242660	538242660	1	GOLD ENGINE COVER PM46 II
18	242161	538242161	1	RED ENGINE COVER PM46 II
19	● 240320	538240320	1	SCREW
20	● 240321	538240321	1	WASHER
21	● 236936	538236936	1	WASHER
22	● 240272	538240272	1	FAN BAFFLE
23	240291	538240291	1	MUFFLER
24	● 240297	538240297	1	PROMAC MUFFLER BAFFLE
25	● 236981	538236981	2	T5 SCREW
26	240299	538240299	1	SUPPORT MUFFLER
27	236997	538236997	1	M5X30 SCREW
28	227626	538227626	2	WASHER D-5
29	227567	538227567	2	SCREW M5X70
30	94273	538094273	1	VALVE COMPRELEASE
31	235248	538235248	1	WASHER M5
32	228139	538228139	1	CONTACT WIRE

**FIGURA 3**

pos	P/N McC	P/N ELX	Qty	DESCRIPTION
<b>38 cc</b>				
<b>C</b>	247253	538247253	1	38cc CYLINDER KIT
<b>B</b>	● 240343	538240343	1	GASKET
<b>C</b>	● 247256	538247256	1	38cc PISTON KIT
4	●● 235008	538235008	2	RING SNAP INT.
<b>B</b>	●● 240005	538240005	2	PISTON RING (1PC)
<b>42 cc</b>				
<b>C</b>	248806	538248806	1	CYL/PIST.KIT 42cc
<b>B</b>	● 242366	538242366	1	GASKET
<b>C</b>	● 248807	538248807	1	PISTON KIT 42cc
4	●● 229544	538229544	2	RETAINING RING
<b>B</b>	●● 240085	538240085	1	42cc PISTON RING
<b>46 cc</b>				
<b>C</b>	248500	538248500	1	CYL/PIST.KIT PM46 II
<b>B</b>	● 240343	538240343	1	GASKET
<b>C</b>	● 247258	538247258	1	46cc PISTON KIT
4	●● 229544	538229544	2	RETAINING RING
<b>B</b>	●● 240353	538240353	1	46cc PISTON RING

**FIGURA 4**

<b>WALBRO WT 414</b>						
<b>C</b>	-	240350	538240350	1	CARBURATOR WT 414	
<b>B</b>	1	● 247260	538247260	1	MAIN KIT CARB. K20 WAT	
<b>A</b>	2	●● 229191	538229191	1	GASKET-DIAPH.W	
3	●	247261	538247261	1	PUMP COVER	
4	●	237481	538237481	1	IDLE SCREW KIT	
5	●	247388	538247388	1	HI SCREW CARB.WT 414	
6	●	246540	538246540	1	HIGH SPEED NEEDLE	
7	●	229601	538229601	2	NEEDLES SPRING	
<b>C</b>	8	●	247387	538247387	1	98-3249 SPRING
<b>ZAMA C1Q M39</b>						
<b>C</b>	-	242062	538242062	1	CARB.ZAMA C1Q M39	
<b>B</b>	1	● 226226	538226226	1	KIT REPAIR CARB.C1Q	
<b>A</b>	2	●● 226227	538226227	1	KIT GASKET+DIAPH C1Q	

A= ALTA ROTAZIONE  
B=MEDIA ROTAZIONE  
C=BASSA ROTAZIONE

A=HIGH MOVING  
B=MEDIUM MOVING  
C=SLOW MOVING

A=HAUTE DEMANDE  
B=MOYENNE DEMANDE  
C=BASSE DEMANDE

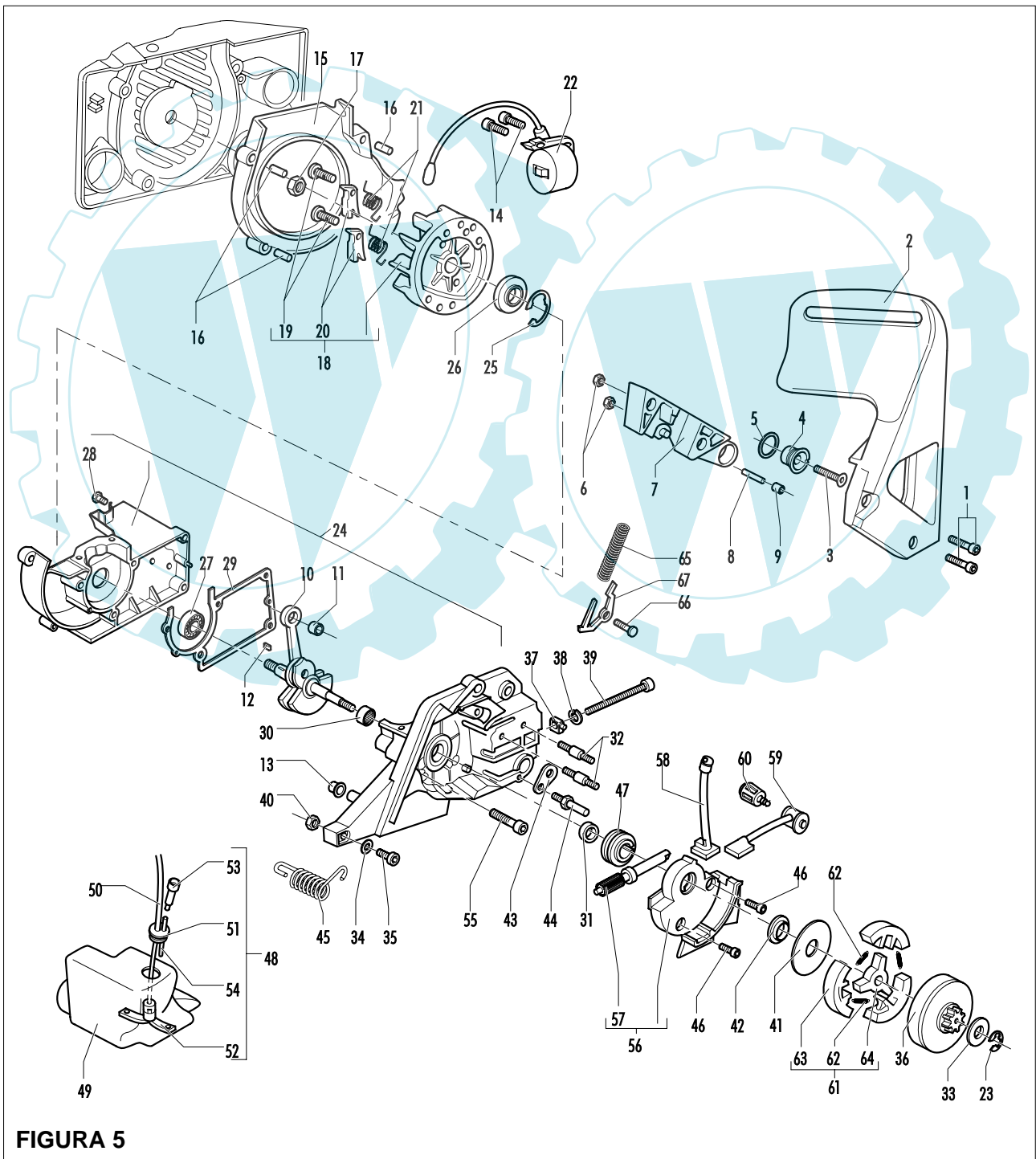
A=GROBE NACHFRAGE  
B=MITTELMAEßIGE  
C=WENIGE NACHFRAGE

brand	<b>MC CULLOCH-PARTNER -RANCHERO</b>
-------	-------------------------------------

date	NOV/02	SHEET 5/6
------	--------	-----------

Model	Prefix
<b>MAC 539E 14" - 16" - 18"</b>	01
<b>MAC 539E 14"+BAG - 542E 16"+BAG</b>	01
<b>MAC 542E 16" INTZ - 542E 18" INTZ</b>	02
<b>MAC 545E 18" INTZ</b>	01
<b>CALIFORNIA 42CC ASSY - 42CC+BAG</b>	02
<b>P542E 16" - P542E 16" + BAG</b>	02
<b>PL 546 18" 6307.290</b>	01

Product number
<b>953900361 - 953900362 - 953900406</b>
<b>953900401 - 953900402</b>
<b>953900363 - 953900364</b>
<b>953900225</b>
<b>953900367 - 953900403</b>
<b>953900376 - 953900377</b>
<b>953900273</b>



**FIGURA 5**

brand	<b>MC CULLOCH-PARTNER -RANCHERO</b>
-------	-------------------------------------

date	NOV/02	SHEET 6/6
------	--------	-----------

Model	Prefix
<b>MAC 539E 14" - 16" - 18"</b>	01
<b>MAC 539E 14"+BAG - 542E 16"+BAG</b>	01
<b>MAC 542E 16" INTZ - 542E 18" INTZ</b>	02
<b>MAC 545E 18" INTZ</b>	01
<b>CALIFORNIA 42CC ASSY - 42CC+BAG</b>	02
<b>P542E 16" - P542E 16" + BAG</b>	02
<b>PL 546 18" 6307.290</b>	01

Product number
<b>953900361 - 953900362 - 953900406</b>
<b>953900401 - 953900402</b>
<b>953900363 - 953900364</b>
<b>953900225</b>
<b>953900367 - 953900403</b>
<b>953900376 - 953900377</b>
<b>953900273</b>

**FIGURA 5**

pos	P/N McC	P/N ELX	Qty	DESCRIPTION	pos	P/N McC	P/N ELX	Qty	DESCRIPTION
	<b>235806</b>	<b>538235806</b>	2	SCREW M5 X 20 TCE	<b>B 36</b>	<b>240260</b>	<b>538240260</b>	1	DRUM SPROCKET 3/8
<b>C 2</b>	<b>241907</b>	<b>538241907</b>	1	BRAKE LEVER	<b>B 36</b>	<b>240266</b>	<b>538240266</b>	1	DRUM SPROCKET 325
<b>3</b>	<b>241905</b>	<b>538241905</b>	1	SCREW M6X25	<b>B 37</b>	<b>241908</b>	<b>538241908</b>	1	NUT BAR ADJUSTEMENT
<b>4</b>	<b>241904</b>	<b>538241904</b>	1	SLEEVE	<b>B 38</b>	<b>235367</b>	<b>538235367</b>	1	BENZING 4MM
<b>5</b>	<b>241906</b>	<b>538241906</b>	1	PLAN WASHER D.10X15X1	<b>B 39</b>	<b>241909</b>	<b>538241909</b>	1	SCREW
<b>6</b>	<b>235642</b>	<b>538235642</b>	2	NUT M5	<b>40</b>	<b>235642</b>	<b>538235642</b>	1	NUT M5
<b>7</b>	<b>241902</b>	<b>538241902</b>	1	BRAKE HOUSING	<b>41</b>	<b>241346</b>	<b>538241346</b>	1	WASHER
<b>8</b>	<b>242017</b>	<b>538242017</b>	1	BAND PIVOT	<b>42</b>	<b>242006</b>	<b>538242006</b>	1	CLUTCH SPACER
<b>9</b>	<b>241903</b>	<b>538241903</b>	1	BRAKE NEEDLE	<b>43</b>	<b>240309</b>	<b>538240309</b>	1	PLATE OIL CAP
<b>10</b>	<b>241871</b>	<b>538241871</b>	1	CRANKSHAFT ASSY 38cc	<b>C 44</b>	<b>240363</b>	<b>538240363</b>	1	CHAIN BRAKE
<b>10</b>	<b>241873</b>	<b>538241873</b>	1	CRANKSHAFT ASSY	<b>B 45</b>	<b>240286</b>	<b>538240286</b>	1	SPRING
<b>C 11</b>	<b>235742</b>	<b>538235742</b>	1	NEEDLE BEARING 0 9X14X12 MM	<b>46</b>	<b>235802</b>	<b>538235802</b>	2	SCREW M5 X 14 TCE
<b>C 11</b>	<b>227329</b>	<b>538227329</b>	1	BEARING NEEDLE	<b>C 47</b>	<b>241882</b>	<b>538241882</b>	1	OIL PUMP SCREW
<b>12</b>	<b>227631</b>	<b>538227631</b>	1	KEY	<b>48</b>	<b>240920</b>	<b>538240920</b>	1	FUEL TANK ASSY
<b>13</b>	<b>235672</b>	<b>538235672</b>	1	RUBBER SUPPORT TANK	<b>49</b>	<b>240300</b>	<b>538240300</b>	1	FUEL TANK
<b>14</b>	<b>235806</b>	<b>538235806</b>	2	SCREW M5 X 20 TCE	<b>B 50</b>	<b>240868</b>	<b>538240868</b>	1	HOSE FUEL
<b>15</b>	<b>247290</b>	<b>538247290</b>	1	AIR CONVEYOR PROMAC 36	<b>C 51</b>	<b>235675</b>	<b>538235675</b>	1	FUELTANK GROMMET
<b>16</b>	<b>240358</b>	<b>538240358</b>	3	SPACER	<b>A 52</b>	<b>240452</b>	<b>538240452</b>	1	PICK UP FUEL
<b>17</b>	<b>235218</b>	<b>538235218</b>	1	NUT M8	<b>C 53</b>	<b>227582</b>	<b>538227582</b>	1	VENT FILTER
<b>18</b>	<b>241204</b>	<b>538241204</b>	1	FLYWHEEL KEY=2 S7	<b>54</b>	<b>229716</b>	<b>538229716</b>	1	BREATHER PIPE OIL TANK
<b>B 19</b>	<b>235516</b>	<b>538235516</b>	2	STARTER PIN PAWL	<b>55</b>	<b>236997</b>	<b>538236997</b>	4	M5X30 SCREW
<b>B 20</b>	<b>235517</b>	<b>538235517</b>	2	STARTER PAWL	<b>B 56</b>	<b>241883</b>	<b>538241883</b>	1	OIL PUMP ASSY
<b>B 21</b>	<b>235518</b>	<b>538235518</b>	2	STARTER SPRING	<b>C 57</b>	<b>241885</b>	<b>538241885</b>	1	OIL PUMP PISTON KIT (S5E)
<b>C 22</b>	<b>241291</b>	<b>538241291</b>	1	IGNITION COIL ASSY-S5	<b>58</b>	<b>241895</b>	<b>538241895</b>	1	PIPE JOINT
<b>23</b>	<b>229137</b>	<b>538229137</b>	1	BENZING 8MM	<b>59</b>	<b>241896</b>	<b>538241896</b>	1	TUBE OIL PUMP
<b>24</b>	<b>248497</b>	<b>538248497</b>	1	L CRANKCASE KIT	<b>C 60</b>	<b>225063</b>	<b>538225063</b>	1	BUMPER CUT CONTROL
<b>25</b>	<b>235899</b>	<b>538235899</b>	1	SEEGER RING	<b>61</b>	<b>242004</b>	<b>538242004</b>	1	CLUTCH KIT
<b>C 26</b>	<b>241879</b>	<b>538241879</b>	1	SEAL 15X32X4/5	<b>B 62</b>	<b>240926</b>	<b>538240926</b>	3	SPRING
<b>27</b>	<b>235900</b>	<b>538235900</b>	1	BALL BEARING 6002 15/32/9	<b>63</b>	<b>227359</b>	<b>538227359</b>	3	SHOE-CLUTCH
<b>28</b>	<b>241077</b>	<b>538241077</b>	1	SELF-THREAD. SCREW 4X14	<b>64</b>	<b>242005</b>	<b>538242005</b>	1	ROTOR CLUTCH
<b>29</b>	<b>240312</b>	<b>538240312</b>	1	GASKET	<b>65</b>	<b>235076</b>	<b>538235076</b>	1	BRAKE SPRING
<b>30</b>	<b>241253</b>	<b>538241253</b>	1	NEEDLE BEARING 15X21X12	<b>66</b>	<b>235075</b>	<b>538235075</b>	1	LATCH PIVOT
<b>C 31</b>	<b>228872</b>	<b>538228872</b>	1	SEAL 13-32-5 (S7)	<b>67</b>	<b>94006</b>	<b>538094006</b>	1	BRAKE LATCH
<b>B 32</b>	<b>241880</b>	<b>538241880</b>	2	BAR BOLT					
<b>33</b>	<b>235287</b>	<b>538235287</b>	1	CLUTCH WASHER					
<b>34</b>	<b>227259</b>	<b>538227259</b>	1	WASHER					
<b>35</b>	<b>235806</b>	<b>538235806</b>	1	SCREW M5 X 20 TCE					

A= ALTA ROTAZIONE	A=HIGH MOVING	A=HAUTE DEMANDE	A=GROÙE NACHFRAGE
B=MEDIA ROTAZIONE	B=MEDIUM MOVING	B=MOYENNE DEMANDE	B=MITTELMAÙßIGE
C=BASSA ROTAZIONE	C=SLOW MOVING	C=BASSE DEMANDE	C=WENIGE NACHFRAGE